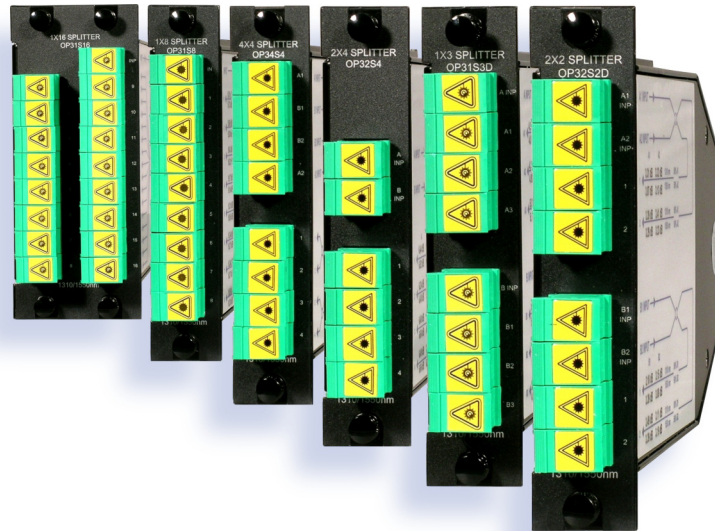


## Features

- Low insertion loss
- Dual operating wavelength windows (1310 nm and 1550 nm)
- High port-to-port uniformity
- SC/APC connectors ensure performance repeatability, compatibility and easy installation and maintenance
- Removable adapters for easy cleaning
- Industry's highest packaging density (up to 32 modules per chassis)
- Occupies one half-depth slot for most modules (two half-depth slots for 1x16 module)

[www.aurora.com](http://www.aurora.com)

## Optical Splitters / Combiners



Aurora Networks' OP3xSx family of splitters and combiners have been designed with high uniformity, low insertion loss and polarization dependent loss. The product family of modules includes 1x4, 2x4, 1x8 and 1x16 splitters/combiners; dual 1x2, 1x3 and 2x2 splitters/combiners; and a family of dual 1x2 splitters/combiners having unbalanced outputs with split ratios ranging from 55/45 to 99/1. A unique scalable 8x8 splitter/combiner is also available from Aurora Networks and described in a separate data sheet. All modules utilize SC/APC type connectors that can be removed for easy cleaning.

Aurora Networks' single mode, multiband splitters and combiners are packaged in Aurora's very compact half-depth module for mounting in the CH3000 chassis. The packaging concept for Aurora's family of optical passives is similar to the well recognized LGX package; and, although Aurora's version of the LGX module is slightly narrower (for higher packaging density), it will also mount in any standard LGX chassis. Aurora's implementation maintains the advantages of the LGX concept (which enables easy, snap-in installation) while providing higher packaging density, greater flexibility and scalability to the network operator.

# OP3xSx

## Product Specifications

### Physical:

- Dimensions:  
6.5" D x 4.3" H x 1.0" W (3RU) (17 cm x 11 cm x 2.5 cm)
- Weight:  
0.8 lbs (0.36 kg)

### Environmental:

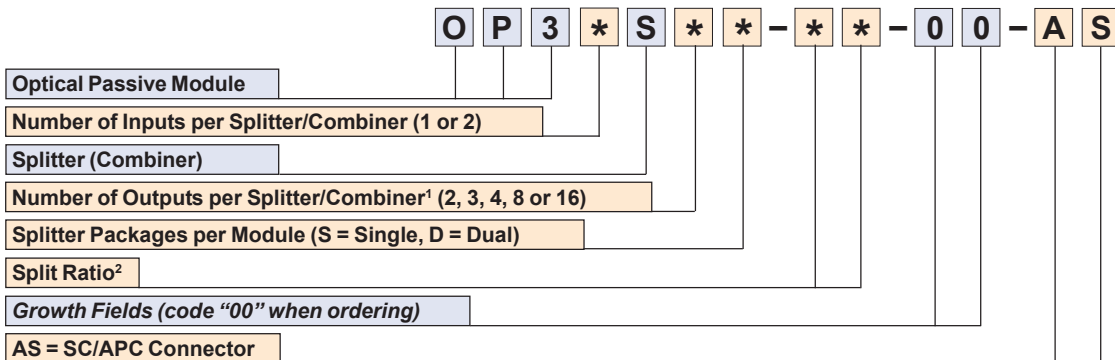
- Operating temperature range: -20° to +65°C (-4° to 149°F)
- Storage temperature range: -40° to +85°C (-40° to 185°F)
- Humidity: 5% to 95% non-condensing

### Optical:

- Optical connectors: SC/APC
- Operating wavelength: Dual windows (1310 ±30 nm and 1550 ±30 nm)
- Directivity: 55 dB
- Return loss, min: 55 dB
- Input power handling, min: >30 dBm

Part Number	Package Design	Split Ratio [%]	Insertion Loss [dB], typical (max)	Uniformity [dB], typical (max)
OP31S2D-EQ-00-AS	Dual 1x2	50 / 50	3.5 (3.9)	0.5 (0.7)
OP31S3D-EQ-00-AS	Dual 1x3	33/33/33	5.1 (5.5)	0.5 (0.8)
OP32S2D-EQ-00-AS	Dual 2x2	50 / 50	3.5 (3.9)	0.5 (0.7)
OP31S4S-EQ-00-AS	1x4	4 x 25%	6.7 (7.2)	0.5 (0.8)
OP32S4S-EQ-00-AS	2x4	4 x 25%	6.7 (7.2)	0.5 (0.8)
OP31S8S-EQ-00-AS	1x8	8 x 12%	10.2 (10.7)	0.7 (1.0)
OP31S16S-EQ-00-AS	1x16	16 x 6%	13.4 (13.9)	0.8 (1.1)
OP31S2D-55-00-AS	Dual 1x2	55 / 45	3.2 (3.3) / 3.8 (4.2)	N/A
OP31S2D-60-00-AS	Dual 1x2	60 / 40	2.7 (3.1) / 4.3 (4.9)	N/A
OP31S2D-65-00-AS	Dual 1x2	65 / 35	2.4 (2.8) / 4.9 (5.5)	N/A
OP31S2D-70-00-AS	Dual 1x2	70 / 30	2.0 (2.4) / 5.6 (6.1)	N/A
OP31S2D-75-00-AS	Dual 1x2	75 / 25	1.7 (2.1) / 6.4 (6.9)	N/A
OP31S2D-80-00-AS	Dual 1x2	80 / 20	1.5 (1.9) / 7.3 (7.9)	N/A
OP31S2D-85-00-AS	Dual 1x2	85 / 15	1.2 (1.4) / 8.4 (9.1)	N/A
OP31S2D-90-00-AS	Dual 1x2	90 / 10	1.0 (1.2) / 10.3 (10.9)	N/A
OP31S2D-95-00-AS	Dual 1x2	95 / 5	0.6 (0.9) / 13.2 (14.0)	N/A
OP31S2D-99-00-AS	Dual 1x2	99 / 1	0.2 (0.6) / 19.7 (20.0)	N/A

## Ordering Information



### Notes

- <sup>1</sup> Not all combinations of numbers of inputs and outputs are valid. Reference above table for available combinations.
- <sup>2</sup> Specify split ratio for higher percentage value of two unbalanced outputs (55, 60, . . . , 95 or 99). Encode "EQ" for models with balanced outputs. Split ratios are identical for modules with dual splitter packages.



**Corporate Headquarters**  
 5400 Betsy Ross Drive  
 Santa Clara, CA 95054  
 Tel 408.235.7000  
 Fax 408.845.9045