

Features

- **216 Watts**
- **Two models available:**
 - **Alphanumeric display (PS3004D)**
 - **Status LEDs (PS3004N)**
- **Continuous input voltage from 90 to 264 V_{RMS}**
- **High power factor, 0.95 at 120V**
- **Long hold-up time**
- **Hot swappable**
- **Load sharing functionality**
- **Occupies two full-depth slots**
- **Monitoring and control of chassis-resident active modules via RS-232 port**
- **Monitors and detects chassis platform alarms**
- **PS3004D allows local monitoring and control without additional hardware**
- **Over temperature protection**

www.aurora.com

216W AC Power Supply



The PS3004 is a high performance, hot-swappable, 216 watt power supply and controller designed for the CH3000 chassis. The PS3004 accepts an AC input voltage in the continuous range from 90 to 264 volts at 47 to 63 Hz and provides 12 volts DC to the mid-plane bus of the CH3000 for distribution to chassis modules. The PS3004 manages the RS285 communication on the mid-plane bus, providing user access to the alarm, control and monitoring features of the active modules in the chassis. For easy set-up of the CH3000, the PDS3004 continuously polls and performs auto-discovery of all active modules in the chassis.

The PS3004 features power factor correction (PFC) for reduced energy costs, a minimum hold-up time of 25 ms for glitch-less switch-over to stand-by power and a front panel RS232 craft port. Additional features include over-voltage, short-circuit and over-temperature protection.

The PS3004 requires two full-depth slots in the CH3000 chassis and mates with the BP-P1 dynamic back plate provided with the unit. An optional 6 foot 3-wire line cord is available.

The PS3004 is available in two configurations, the PS3004D with front panel fluorescent display and joystick and the PS3004N with front panel status LEDs only. The PS3004D with its display and joy stick features allows the user direct access to the alarm, control and monitoring features of the active modules in the chassis without additional equipment. These may also be accessed via the RS232 craft port using Aurora's CMS software. The PS3004N provides the user with alarm status of the chassis only via the status LEDs. Alarm detail to the module level as well as control and monitoring features are accessed via the RS232 craft port using Aurora's CMS software.

PS3004

Product Specifications

Physical:

- Dimensions:
13.0" D x 4.3" H x 2.0" W (33 cm x 11 cm x 5 cm)
- Weight:
3.1 lbs (1.4 kg)
- Space allocation:
2 full-depth slots in CH3000 Chassis

Environmental:

- Operating temperature range: -20° to $+65^{\circ}\text{C}$ (-4° to 149°F)
- Storage temperature range: -40° to $+85^{\circ}\text{C}$ (-40° to 185°F)
- Humidity: 20% to 95% non-condensing

Electrical:

- AC Input:
Voltage: 90 to 264 V_{RMS} , continuous
Frequency: 47 to 63 Hz
Power factor: 0.95 min.
Protection: Fuse, 8A SLO-BLO
- DC Output:
Voltage: 12.0 V_{DC} nominal
Current: 18 Amps max. (216 watts)
- Efficiency: 83% typ. (120 V_{AC})
- Protection: Over-voltage and short circuit

General:

- Hot swappable
- Load-sharing redundancy when second PS resides in same chassis

- Over-temperature with auto-reset
- Front panel RS-232 craft port

Indicator LEDs on model PS3004N:

Status LEDs:

- Green = OK
- Yellow = Non-service-affecting alarm
- Red = Service-affecting alarm

Access Indicator LED:

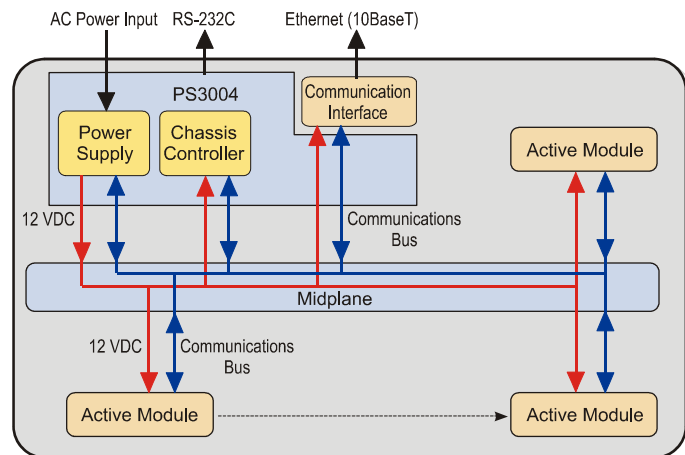
- Blue = Lit during communication with chassis modules

Back-Up P/S Indicator LED:

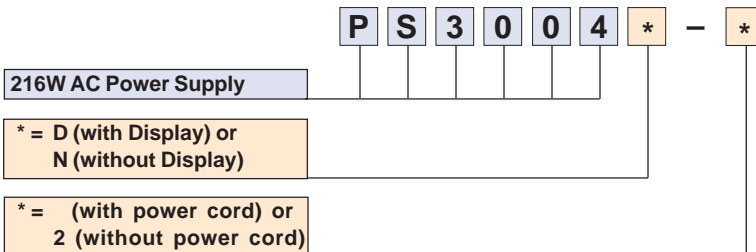
- Green = Lit if second power supply is present within chassis

Regulatory:

- NRTL certified for North America
- CSA C22.2 No. 60950-1-03
- UL60950-1:2003
- IEC 60950-1:2001



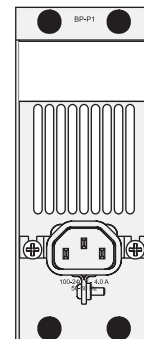
Ordering Information



Required Module Back Plate

B P - P 1

Back Plate is included with ordered module.



Corporate Headquarters

5400 Betsy Ross Drive
Santa Clara, CA 95054
Tel 408.235.7000
Fax 408.845.9045